

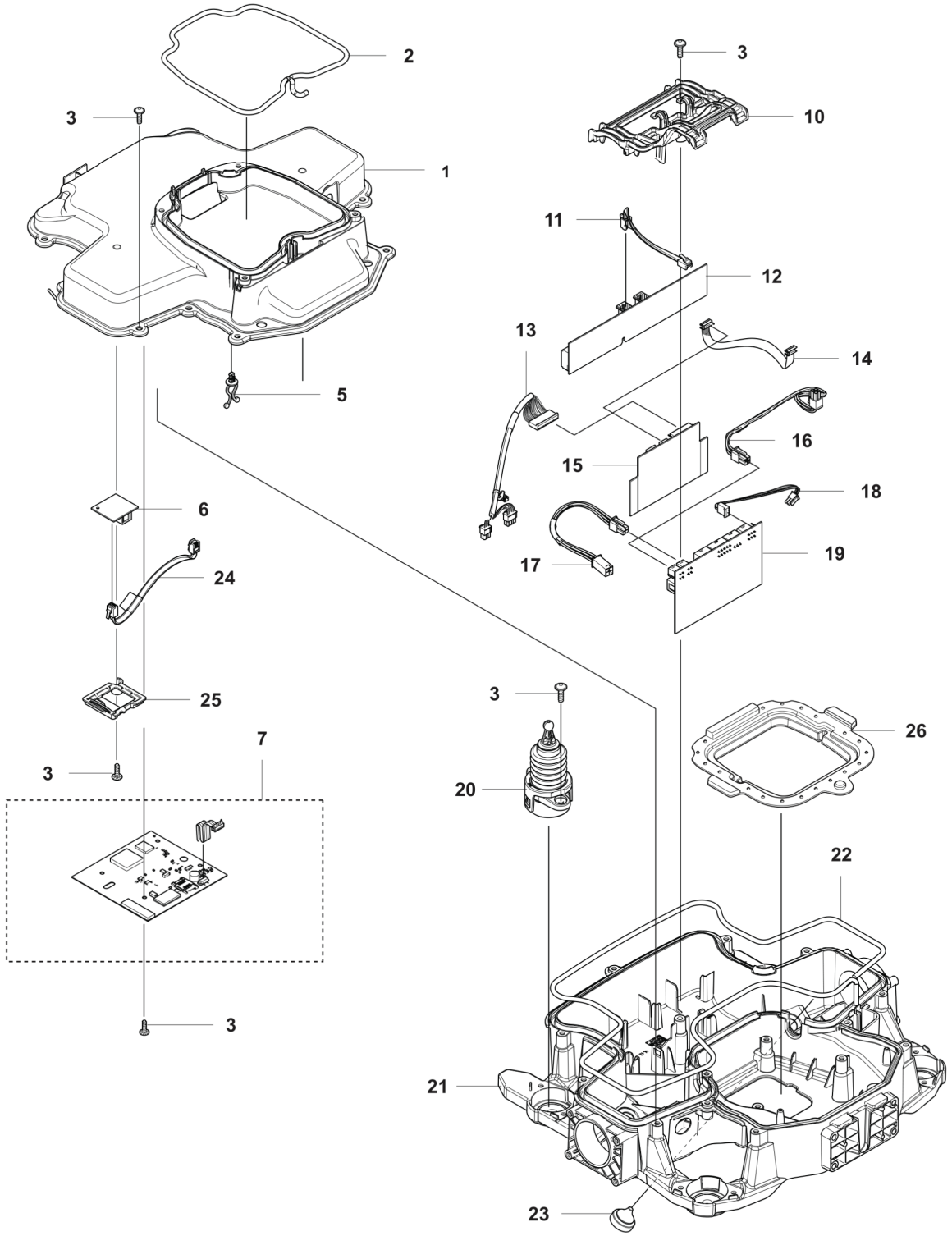
**SPARE PARTS CATALOGUE**  
**: HUSQVARNA AUTOMOWER® 535 AWD**

Spare Parts List

---

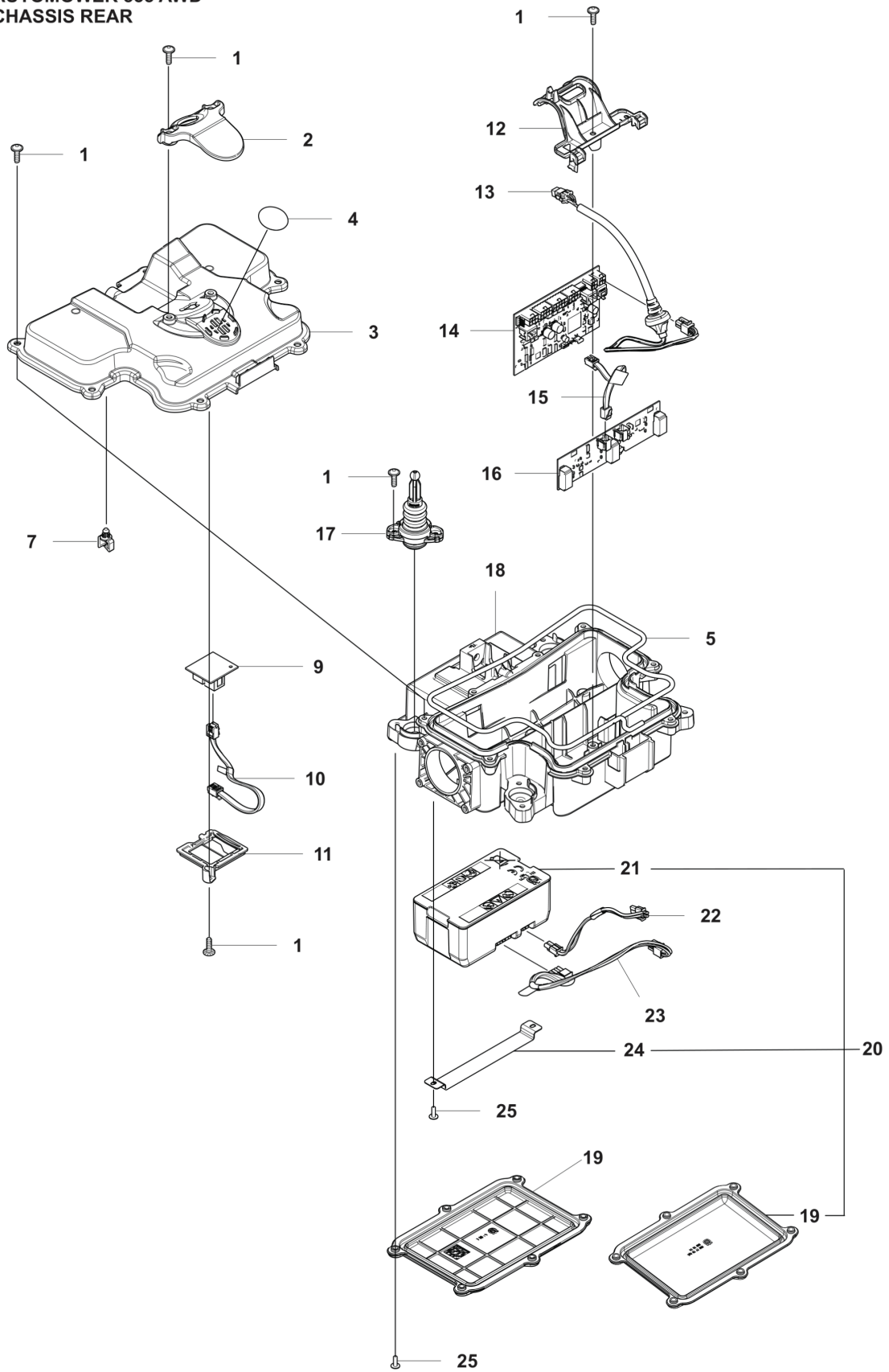
# **SPARE PARTS LIST**

**AUTOMOWER 535 AWD  
CHASSIS FRONT**



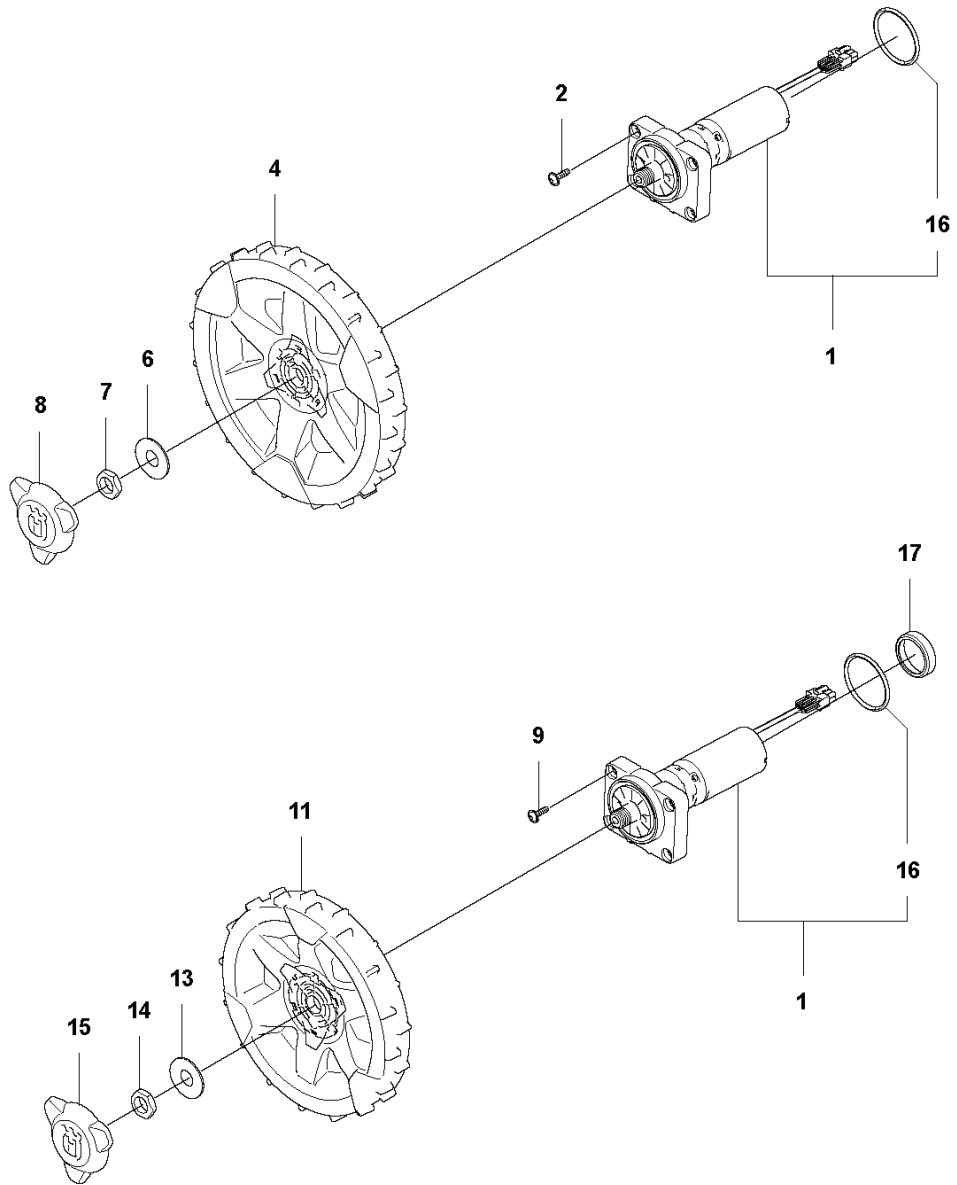
| PXM_REF | PXM_PARTNO | BESCHREIBUNG      | PXM_REMARK  |    |
|---------|------------|-------------------|---|----|
| 1       | 592743401  | RAHMEN            | Upper front   | 1  |
| 2       | 574874714  | DICHTUNGSSTREIFEN | Chassis Upper Front   | 1  |
| 3       | 575543314  | SCHRAUBE          |   | 4  |
| 5       | 580682901  | TOOL HOLDER       | Twist lock  | 11 |
| 6       | 591125501  | PLATINE KPL.      | Magnetic Sensor   | 2  |
| 7       | 586662311  | GPS MODULE        | AM Connect. KIT, US,CA  | 1  |
| 7       | 586662307  | GPS MODULE        | AM Connect. KIT, 2G/3G, BR, CL, UY, PY, AR, CO, EC, PE, CR  | 1  |
| 7       | 586662313  | GPS MODULE        | AM Connect. KIT, UK, IE, CH, IT, ES, PT, DE, FR, AT, NL, BE, LUX, SI, SE, NO, DK, FI, CZ, PL, SK, HU, UA, RO, GR, HR, TR, BG, RU, LT, LV, EE, ZA, JP, AUS, NZ | 1  |
| 10      | 592743701  | GRIFF             | PCB front   | 1  |
| 11      | 536253908  | VERKABELUNG KPL.  | Modular Jack  | 1  |
| 12      | 591125702  | PLATINE KPL.      | Loop Receiver Board   | 1  |
| 13      | 580614402  | VERKABELUNG KPL.  | Ultra Sonic Extension   | 1  |
| 14      | 579708602  | VERKABELUNG KPL.  | AUX   | 1  |
| 15      | 578285701  | PLATINE KPL.      | Ultra Sonic Board   | 1  |
| 16      | 591203103  | VERKABELUNG KPL.  | HMI Cable 4P  | 1  |
| 17      | 591203301  | VERKABELUNG KPL.  | Main Cable Adapter 4P   | 1  |
| 18      | 588818403  | VERKABELUNG KPL.  | Led Light Extension, From S/N 231010545   | 1  |
| 19      | 591125601  | PLATINE KPL.      | Motor Controler Board   | 1  |
| 20      | 592736301  | STEUERHEBEL       | Assy  | 4  |
| 21      | 592743601  | RAHMEN            | Lower front   | 1  |
| 22      | 574874712  | DICHTUNGSSTREIFEN | Chassis Lower Front   | 1  |
| 23      | 584897501  | DICHTSCHEIBE      | Up to S/N 231010544   | 4  |
| 24      | 536253908  | VERKABELUNG KPL.  | Modular Jack  | 1  |
| 25      | 591494301  | GRIFF             | Magnetic Sensor Board   | 1  |
| 26      | 598369701  | STAUBDICHTUNG     |   | 1  |

**AUTOMOWER 535 AWD  
CHASSIS REAR**



| PXM_REF | PXM_PARTNO | BESCHREIBUNG      | PXM_REMARK                               |    |
|---------|------------|-------------------|--|----|
| 1       | 575543314  | SCHRAUBE          | ITXPANT                                  | 17 |
| 2       | 591487001  | GRIFF             | Grommet                                  | 1  |
| 3       | 591484201  | RAHMEN            | Upper Rear                               | 1  |
| 4       | 577753701  | FILTER            | Air Filter                               | 1  |
| 5       | 574874713  | DICHTUNGSSTREIFEN | Chassis Lower Rear                       | 1  |
| 7       | 595082901  | GRIFF             | Wire Sadle                               | 1  |
| 9       | 591125501  | PLATINE KPL.      | Magnetic Sensor                          | 3  |
| 10      | 589350801  | VERKABELUNG KPL.  | Modular Jack                             | 1  |
| 11      | 591494301  | GRIFF             | Magnetic Sensor Board                    | 1  |
| 12      | 591494201  | GRIFF             | PCB Rear                                 | 1  |
| 13      | 593309402  | VERKABELUNG KPL.  | Main Cable Rear                          | 1  |
| 14      | 591125601  | PLATINE KPL.      | Motor Controller Board                   | 1  |
| 15      | 589350801  | VERKABELUNG KPL.  | Modular Jack                             | 1  |
| 16      | 591125701  | PLATINE KPL.      | Loop Receiver Board Rear                 | 1  |
| 17      | 594058601  | JOYSTICK ASSY     | Rear                                     | 4  |
| 18      | 591484102  | RAHMEN            | Lower Rear                               | 1  |
| 19      | 536777901  | DECKEL            | From S/N 232402634                       | 1  |
| 19      | 594016201  | DECKEL            | Up to S/N 232405364                      | 1  |
| 20      | 536896001  | BATTERIE          | Battery upgrade kit, Up to S/N 232405364 | 1  |
| 21      | 534199401  | BATTERIE          | Battery, From S/N 232402634              | 1  |
| 22      | 531144201  | VERKABELUNG KPL.  | Battery Charging Adapter                 | 1  |
| 23      | 535009701  | VERKABELUNG KPL.  | Battery Cable Premium                    | 1  |
| 24      | 536856101  | HALTER            | From S/N 232402634                       | 1  |
| 24      | 592635801  | HALTER            | Up to S/N 232405364                      | 1  |
| 25      | 588222201  | SCHRAUBE          |  | 8  |

**E** AUTOMOWER 535 AWD  
WHEELS & TIRES

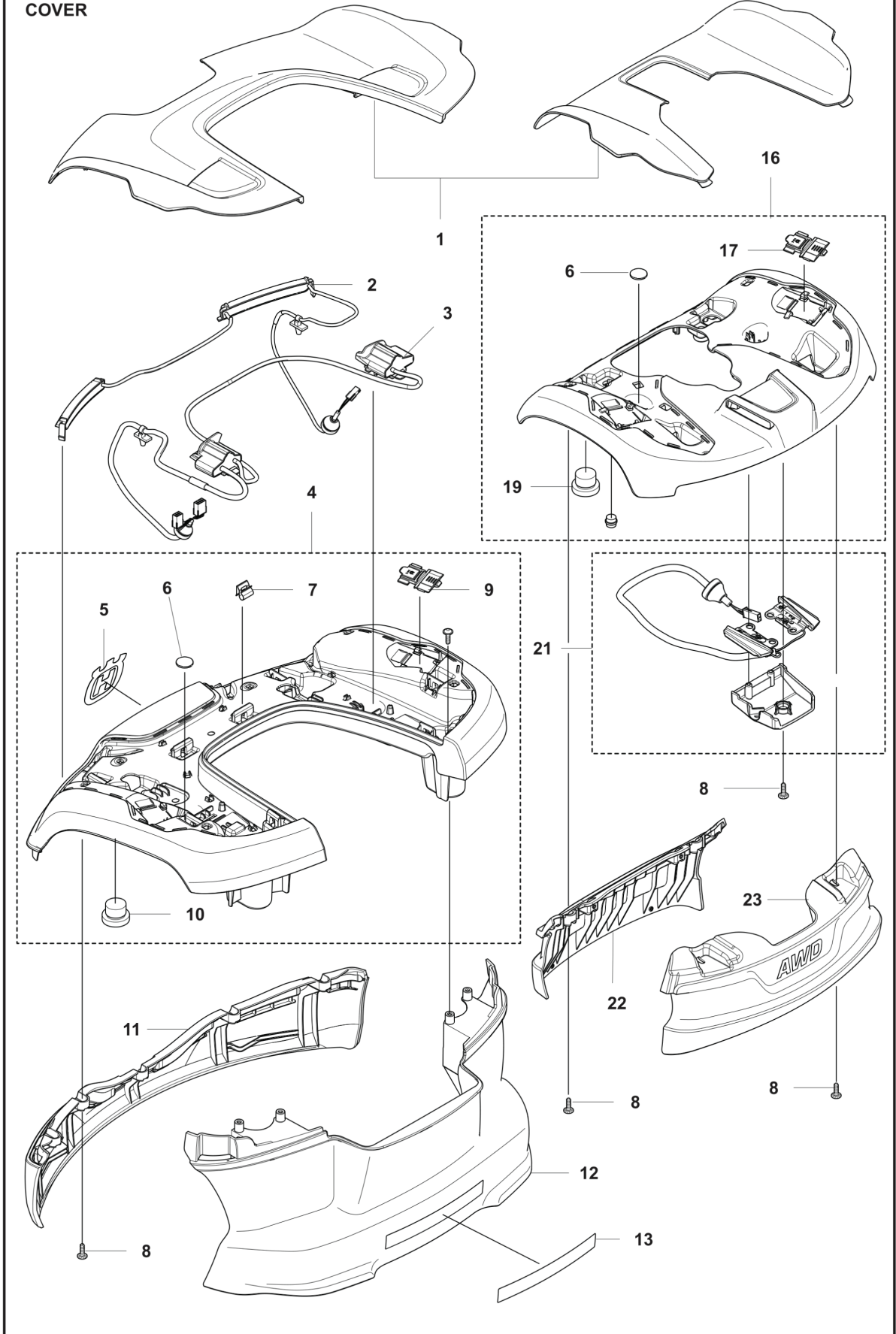


---

| PXM_REF | PXM_PARTNO | BESCHREIBUNG          | PXM_REMARK |
|---------|------------|-----------------------|------------|
| 1       | 581621306  | MOTOR KIT             | 2          |
| 2       | 574450101  | SCHRAUBE              | 8          |
| 4       | 582280201  | WHEEL KIT             | Grey 2     |
| 6       | 586210601  | SCHEIBE               | 4          |
| 7       | 731432401  | SECHSKANT-FLACHMUTTER | 4          |
| 8       | 579505502  | RADKAPPE              | 2          |
| 9       | 574450101  | SCHRAUBE              | 8          |
| 11      | 590217301  | RAD KPL.              | Grey 2     |
| 13      | 586210601  | SCHEIBE               | 4          |
| 14      | 731432401  | SECHSKANT-FLACHMUTTER | 4          |
| 15      | 579505502  | RADKAPPE              | 2          |
| 16      | 580443902  | O-RING                | 1          |
| 17      | 529460101  | DECKEL                | 1          |



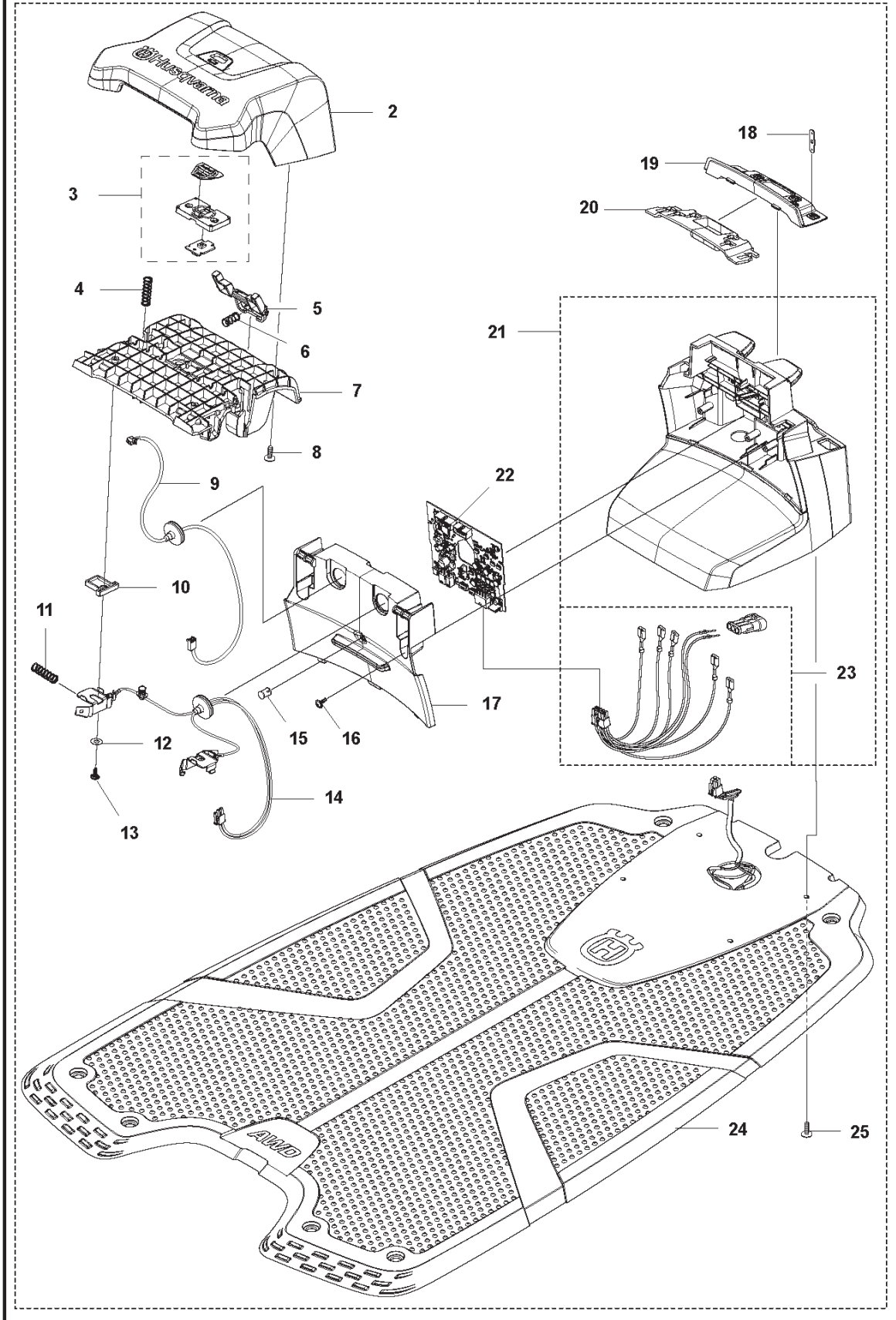
**AUTOMOWER 535 AWD  
COVER**



| PXM_REF | PXM_PARTNO | BESCHREIBUNG       | PXM_REMARK                            |    |  |
|---------|------------|--------------------|---------------------------------------|----|--|
| 1       | 596300001  | BODY KIT           | Top Cover Grey, From S/N 231010545    | 1  |  |
| 1       | 596300201  | BODY KIT           | Top Cover Grey, Up to S/N 231010544   | 1  |  |
| 1       | 596300003  | BODY KIT           | Top Cover Orange, From S/N 231010545  | 1  |  |
| 1       | 596300202  | BODY KIT           | Top Cover Orange, Up to S/N 231010544 | 1  |  |
| 2       | 597501402  | VERKABELUNG KPL    | LED light, From S/N 231010545         | 1  |  |
| 3       | 588596704  | VERKABELUNG KPL    | US Sensor                             | 1  |  |
| 4       | 597161801  | BODY ASSY          | Front                                 | 1  |  |
| 5       | 587423502  | Folie              | Husqvarna Crown                       | 1  |  |
| 6       | 593822101  | MAGNET             | Magnet                                | 1  |  |
| 7       | 593778401  | KLAMMER            | Body connection                       | 1  |  |
| 8       | 574450101  | SCHRAUBE           |                                       | 10 |  |
| 9       | 591494601  | GRIFF              | Wheel Brusch                          | 1  |  |
| 10      | 580526801  | HUT                | Snaploc                               | 1  |  |
| 11      | 591467401  | STOSSFÄNGER        | Front                                 | 1  |  |
| 12      | 591467501  | STOSSFÄNGER        | Front tail                            | 1  |  |
| 13      | 586359701  | AUFKLEBER          | Warning                               | 1  |  |
| 16      | 597161901  | BODY ASSY          | Rear                                  | 1  |  |
| 17      | 591494601  | GRIFF              | Wheel Brusch                          | 1  |  |
| 19      | 580526801  | HUT                | Snaploc                               | 1  |  |
| 21      | 597165601  | CHARGING PLATE KIT |                                       | 1  |  |
| 22      | 591467801  | STOSSFÄNGER        | Rear Head                             | 1  |  |
| 23      | 591467901  | STOSSFÄNGER        | Rear Tail                             | 1  |  |

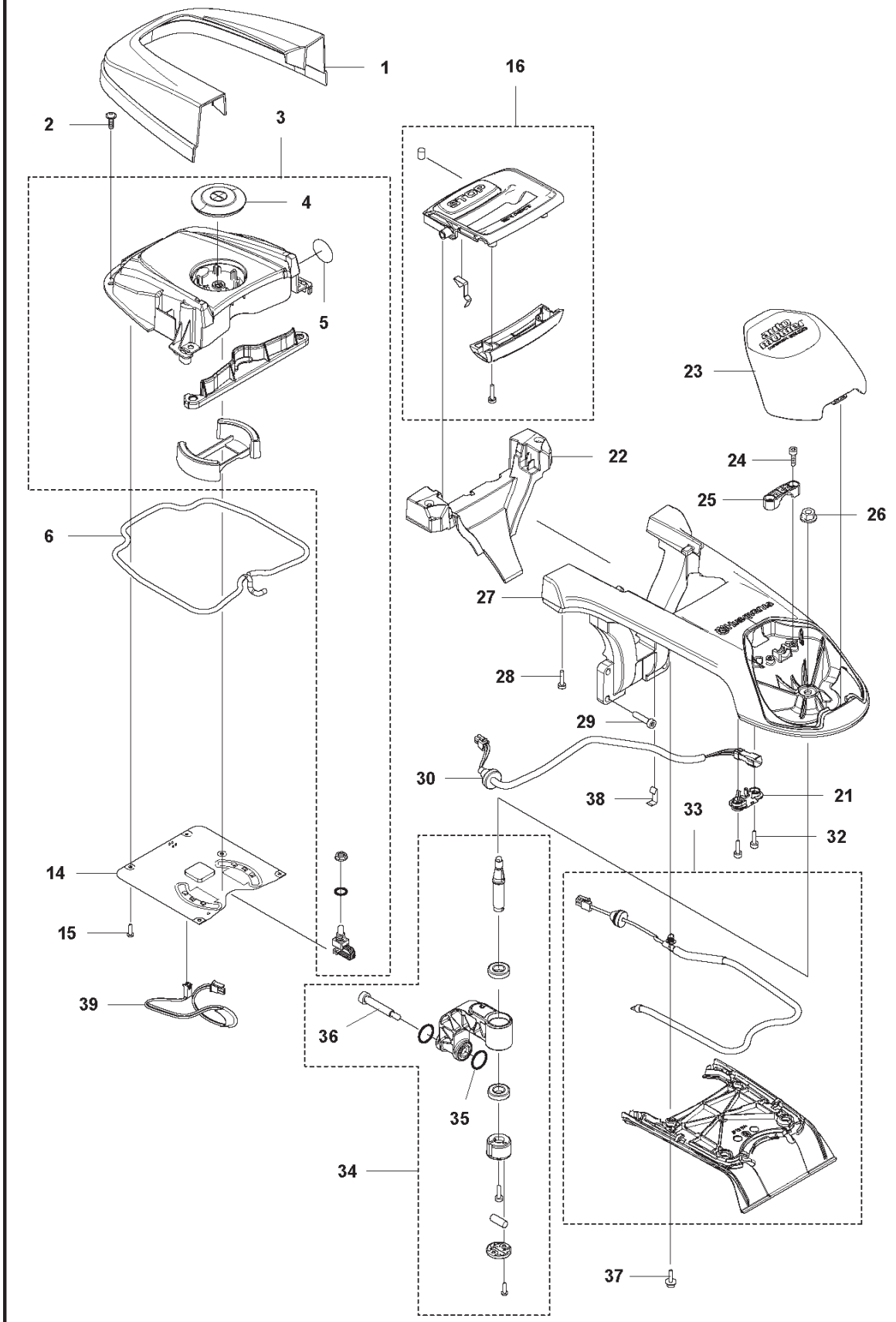
**G** AUTOMOWER 535 AWD  
CHARGING STATION

1



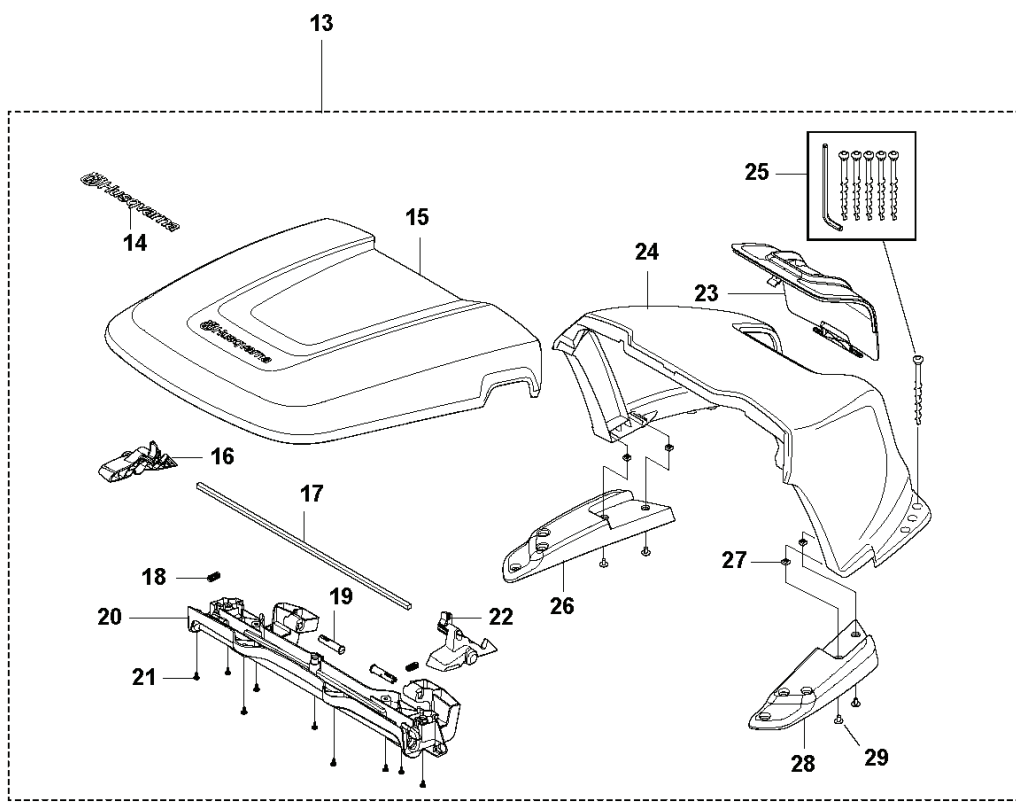
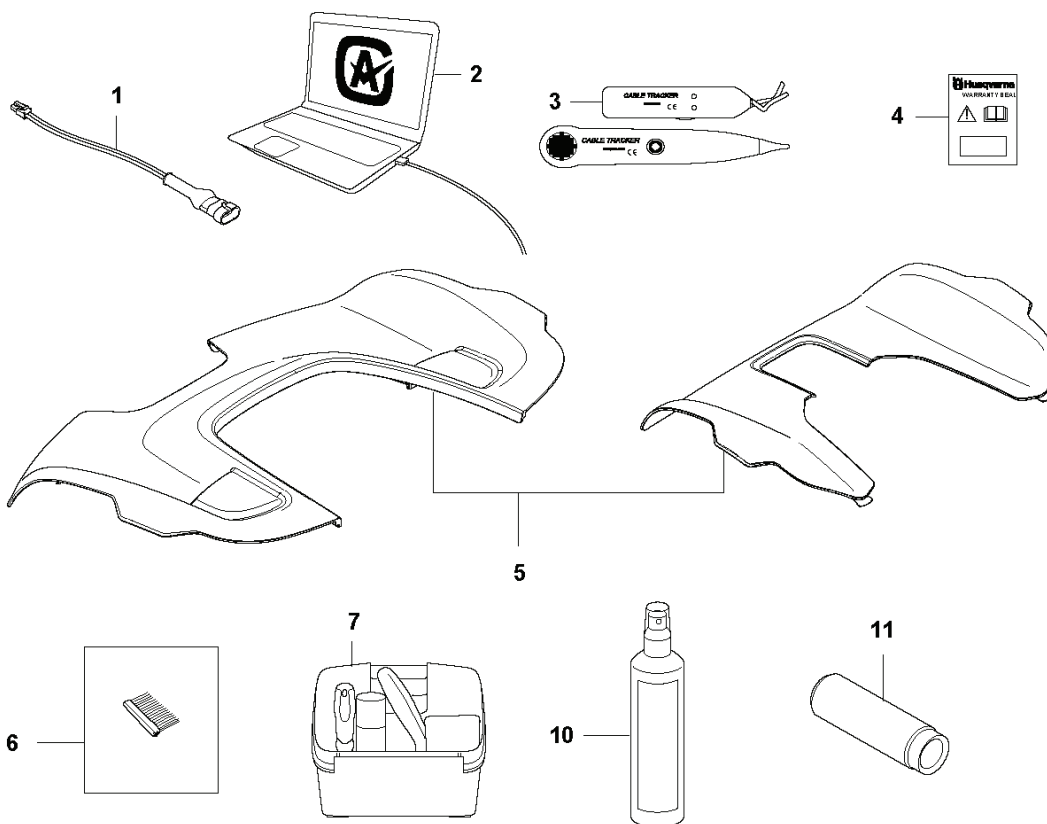
| PXM_REF | PXM_PARTNO | BESCHREIBUNG     | PXM_REMARK                             |    |  |
|---------|------------|------------------|--|----|--|
| 1       | 595310102  | LADESTATION      | Universal P25 3 guides with parkbutton | 1  |  |
| 2       | 579448204  | HUT              | With park button                       | 1  |  |
| 2       | 579448203  | HUT              | Without Park button                    | 1  |  |
| 3       | 501065901  | BUTTON KIT       | Home Button Kit                        | 1  |  |
| 4       | 580511401  | FEDER            |  | 2  |  |
| 5       | 579462402  | KNOPF            | Button-Release                         | 1  |  |
| 6       | 574487001  | FEDER            |  | 1  |  |
| 7       | 579458004  | RAHMEN           |  | 1  |  |
| 8       | 575543314  | SCHRAUBE         |  | 12 |  |
| 9       | 579708301  | ISOLIERROHR      | Home Button Wiring                     | 1  |  |
| 10      | 579460502  | ABSTANDSSCHEIBE  |  | 2  |  |
| 11      | 580511401  | FEDER            |  | 2  |  |
| 12      | 734113741  | SCHEIBE          |  | 2  |  |
| 13      | 575543314  | SCHRAUBE         |  | 2  |  |
| 14      | 531242201  | VERKABELUNG KPL. | Loom Charging Contact                  | 1  |  |
| 15      | 590217201  | LINSE            |  | 1  |  |
| 16      | 575543314  | SCHRAUBE         |  | 2  |  |
| 17      | 579459703  | DECKEL           | 2 holes                                | 1  |  |
| 17      | 579459704  | DECKEL           | 1 hole                                 | 1  |  |
| 18      | 580504101  | ANSCHLUSSELEMENT |  | 5  |  |
| 19      | 579459803  | SCHALTBRETT      |  | 1  |  |
| 20      | 579459901  | TOOL HOLDER      |  | 1  |  |
| 21      | 588188801  | GEHÄUSE KPL.     | Kolla samma P2                         | 1  |  |
| 22      | 596328003  | PLATINE KPL.     | PCBA Charging Station                  | 1  |  |
| 23      | 588478901  | KABELSATZ        | Wiring CS                              | 1  |  |
| 24      | 595283601  | BASE ASSY        | Charging Plate                         | 1  |  |
| 25      | 575543314  | SCHRAUBE         |  | 12 |  |

**D** AUTOMOWER 535 AWD  
CENTER CONSOL



| PXM_REF | PXM_PARTNO | BESCHREIBUNG       | PXM_REMARK          |    |
|---------|------------|--------------------|---------------------|----|
| 1       | 592614501  | DECKEL             | HMI                 | 2  |
| 2       | 574450101  | SCHRAUBE           | ITXPANT             | 10 |
| 3       | 597162202  | COVER ASSY         |                     | 1  |
| 4       | 592614202  | KNOB ASSY          | 5 Serie             | 1  |
| 5       | 576921501  | LUFTFILTER         |                     | 1  |
| 6       | 574874714  | DICHTUNGSSSTREIFEN | Chassis upper front | 1  |
| 14      | 591100201  | PLATINE KPL        | Application Board   | 1  |
| 15      | 525887401  | SCREW CITXPANT     |                     | 6  |
| 16      | 597162101  | GRIFF KPL          |                     | 1  |
| 21      | 593355101  | KLEMME             |                     | 1  |
| 22      | 591351701  | STÜTZBÜGEL         |                     | 1  |
| 23      | 591487103  | DECKEL             |                     | 1  |
| 24      | 586444901  | SCREW ITXSCT       |                     | 2  |
| 25      | 593355201  | KLEMME             | Main Cable          | 1  |
| 26      | 503220401  | MUTTER             | Washer              | 1  |
| 27      | 590944201  | STÜTZE             |                     | 1  |
| 28      | 580292901  | SCREW ITXSCT       |                     | 5  |
| 29      | 598570801  | SCHRAUBE           |                     | 4  |
| 30      | 591203201  | VERKABELUNG KPL    |                     | 1  |
| 32      | 586444901  | SCREW ITXSCT       |                     | 2  |
| 33      | 592944001  | SCHALTER           |                     | 1  |
| 34      | 597166401  | PIVOTING ARM KIT   |                     | 1  |
| 35      | 740431300  | O-RING             |                     | 2  |
| 36      | 592629001  | SCHRAUBE           |                     | 1  |
| 37      | 525824401  | SCHRAUBE           |                     | 4  |
| 38      | 597476101  | KLAMMER            |                     | 1  |
| 39      | 591452202  | VERKABELUNG KPL    |                     | 1  |

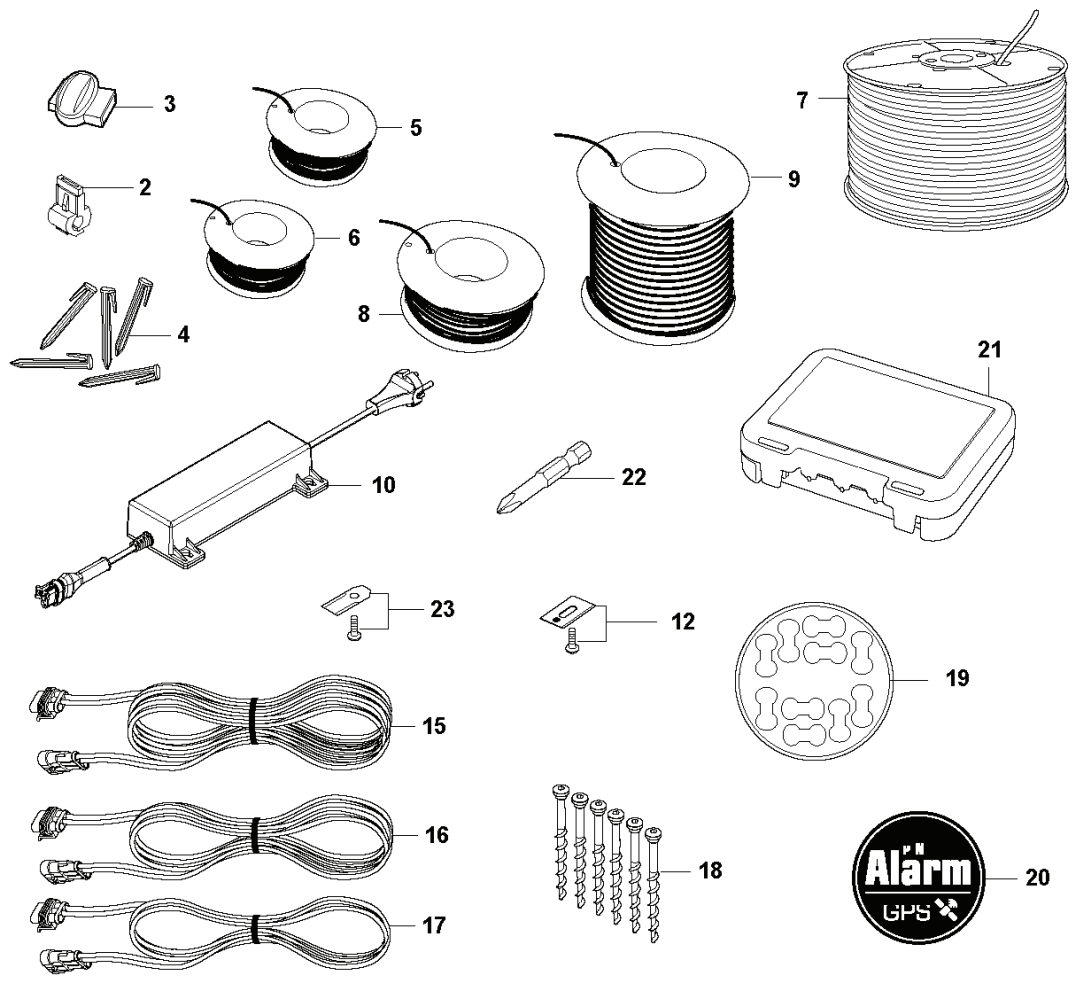
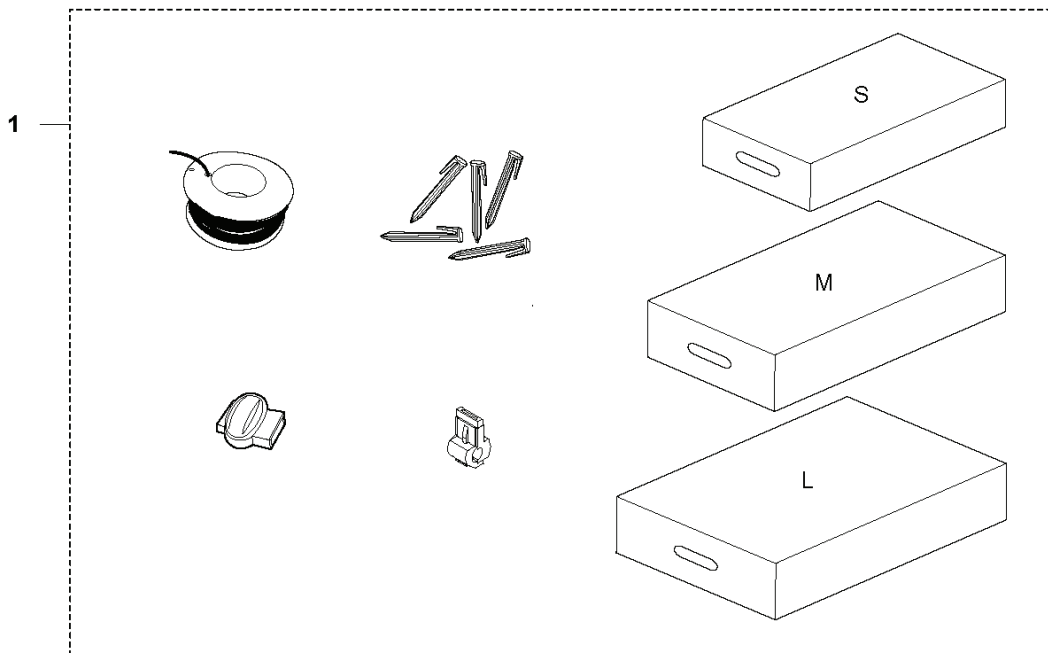
**AUTOMOWER 535 AWD  
ACCESSORIES**



| PXM_REF | PXM_PARTNO | BESCHREIBUNG    | PXM_REMARK                   |   |  |
|---------|------------|-----------------|------------------------------|---|--|
| 1       | 598013101  | VERKABELUNG KPL | Battery tester cable         | 1 |  |
| 3       | 577606801  | TESTAUSRÜSTUNG  | Interruption Detector        | 1 |  |
| 4       | 580689502  | AUFKLEBER       | Warranty seal                | 1 |  |
| 5       | 596300201  | BODY KIT        | Top Cover Grey               | 1 |  |
| 5       | 596300202  | BODY KIT        | Top Cover Orange             | 1 |  |
| 6       | 505132803  | BÜRSTENSATZ     | 6 pcs                        | 1 |  |
| 7       | 590855101  | SATZ            | Maintenance and Cleaning Kit | 1 |  |
| 10      | 593967901  | SPRAY           | Care and Shine 200 ml        | 1 |  |
| 11      | 502519401  | DORN            | Tool for splitting chassis   | 1 |  |
| 13      | 597635301  | GEHÄUSE         | House KIT                    | 1 |  |
| 14      | 577062001  | Folie           | DECAL                        | 1 |  |
| 15      | 598465501  | DECKEL          | COVER                        | 1 |  |
| 16      | 585324002  | EINSTELLHEBEL   | Handle Left                  | 1 |  |
| 17      | 585324101  | STANGE          | Steel Rod                    | 1 |  |
| 18      | 580511401  | FEDER           | Spring                       | 2 |  |
| 19      | 585341501  | ACHSE           | Hinge Pin                    | 2 |  |
| 20      | 585341601  | BALKEN          | Beam                         | 1 |  |
| 21      | 575543314  | SCHRAUBE        | Screw                        | 9 |  |
| 22      | 585324001  | EINSTELLHEBEL   | Handle Right                 | 1 |  |
| 23      | 585323601  | LUKE            | Hatch                        | 1 |  |
| 24      | 597635801  | GEHÄUSE         | Cover Base                   | 1 |  |
| 25      | 597435801  | SCHRAUBE        | Screw Kit                    | 1 |  |
| 26      | 585323802  | STÜTZE          | Support Base Left            | 1 |  |
| 27      | 503226601  | MÜTTER 4-KANT   | Square Nut                   | 4 |  |
| 28      | 585323801  | STÜTZE          | Support Base Left            | 1 |  |
| 29      | 535129303  | SCHRAUBE        | Screw                        | 4 |  |

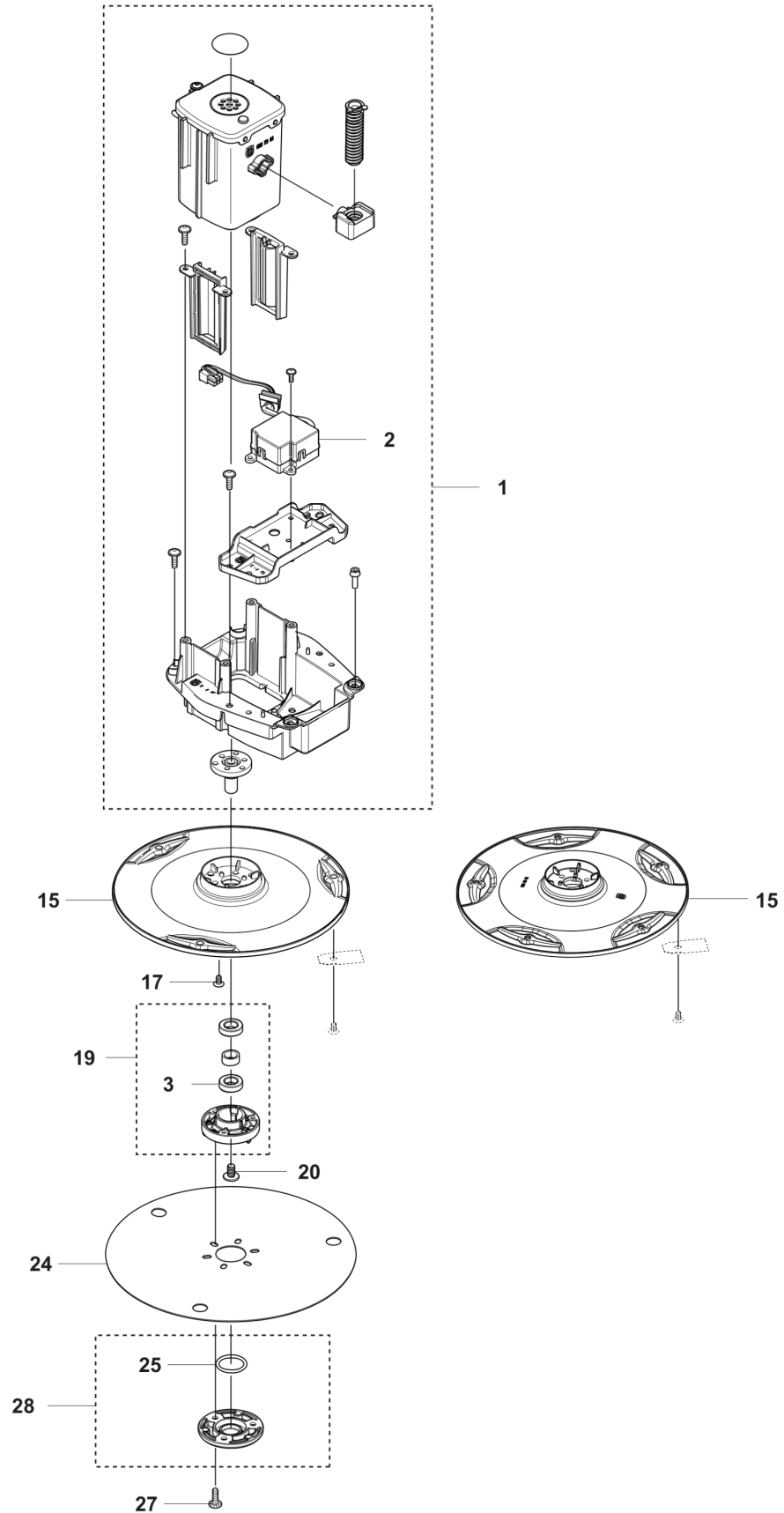


# H AUTOMOWER 535 AWD INSTALLATION ACCESSORIES



| PXM_REF | PXM_PARTNO | BESCHREIBUNG     | PXM_REMARK   |   |  |
|---------|------------|------------------|--|---|--|
| 1       | 967623601  | INSTALLATION KIT | S Wire 150 m, Staples 300 pc, Connectors 3 pcs, Couplers 5 pcs | 1 |  |
| 1       | 967623602  | INSTALLATION KIT | M Wire 250 m, Staples 400 pc, Connectors 3 pcs, Couplers 5 pcs | 1 |  |
| 1       | 967623603  | INSTALLATION KIT | S Wire 400 m, Staples 600 pc, Connectors 5 pcs, Couplers 5 pcs | 1 |  |
| 2       | 535129001  | KONTAKTSTÜCK     | Loop Wire Connector  | 1 |  |
| 2       | 535129002  | KONTAKTSTÜCK     | Loop Wire Connector, Blister Pack 100 pcs                      | 1 |  |
| 2       | 577864801  | KONTAKTSTÜCK     | Loop Wire Connector, Blister Pack 5 pcs                        | 1 |  |
| 3       | 501980201  | KUPPLUNG         | Coupler  | 1 |  |
| 3       | 501980203  | KUPPLUNG         | Coupler, 100 pcs   | 1 |  |
| 3       | 577864701  | KUPPLUNG         | Coupler, Blister Pack 5 pcs                                    | 1 |  |
| 4       | 583973401  | KLAMMER          | 100 pcs  | 1 |  |
| 4       | 577864201  | KLAMMER          | Staple Blister Pack 100 pcs                                    | 1 |  |
| 5       | 577864301  | KABEL            | Wire, Blister Pack 150 m                                       | 1 |  |
| 5       | 580662002  | KABEL            | Wire, 150 m  | 1 |  |
| 5       | 577864302  | KABEL            | Wire, Blister Pack 50 m  | 1 |  |
| 6       | 580662001  | KABEL            | Wire, 250 m  | 1 |  |
| 7       | 593297701  | KABEL            | Wire Pro, 300 m  | 1 |  |
| 8       | 522914101  | KABEL            | Wire, 500 m, diam 3.4mm  | 1 |  |
| 9       | 580662004  | KABEL            | Wire, 800 m  | 1 |  |
| 10      | 590442505  | ANTRIEBSEINHEIT  | Power Unit AUS/NZ  | 1 |  |
| 10      | 590442504  | ANTRIEBSEINHEIT  | Power Unit US  | 1 |  |
| 10      | 590442503  | ANTRIEBSEINHEIT  | Power Unit CH  | 1 |  |
| 10      | 590442502  | ANTRIEBSEINHEIT  | Power Unit GB  | 1 |  |
| 10      | 590442501  | ANTRIEBSEINHEIT  | Power Unit EU  | 1 |  |
| 12      | 595084401  | MESSER-SATZ      | Endurance Blade, 6 pcs   | 1 |  |
| 12      | 595084402  | MESSER-SATZ      | Endurance Blade, 45 pcs  | 1 |  |
| 12      | 595084403  | MESSER-SATZ      | Endurance Blade, 300 pcs                                       | 1 |  |
| 15      | 588765004  | KABELSATZ        | Low Voltage Cable, 20 m  | 1 |  |
| 16      | 588765005  | KABELSATZ        | Low Voltage Cable, 10 m  | 1 |  |
| 17      | 588765006  | KABELSATZ        | Low Voltage Cable, 3 m   | 1 |  |
| 18      | 575238601  | SCREW KIT        | 6 pcs  | 1 |  |
| 18      | 577864901  | SCHRAUBE         | Blister Pack, 3 pcs  | 1 |  |
| 19      | 586277901  | PLAKETTE         | Cable Markers, 10 pcs  | 1 |  |
| 20      | 594054801  | AUFKLEBER        | Label Alarm  | 1 |  |
| 21      | 590855001  | KISTE            | Cable Connector Protection                                     | 1 |  |
| 22      | 596339801  | WERKZEUG         | Bit for Robotic Blades   | 1 |  |
| 23      | 577606604  | MESSER-SATZ      | Long Life Safety Blade, 300 pcs                                | 1 |  |
| 23      | 577864603  | MESSER-SATZ      | Long Life Safety Blade, Blister Pack 9 pcs                     | 1 |  |
| 23      | 577606505  | MESSER-SATZ      | Long Life Safety Blade, 45 pcs                                 | 1 |  |

**AUTOMOWER 535 AWD  
BLADE MOTOR AND CUTTING EQUIPMENT**



| PXM_REF | PXM_PARTNO | BESCHREIBUNG     | PXM_REMARK                             |   |
|---------|------------|------------------|--|---|
| 1       | 592733701  | CUTTING MODULE   |  | 1 |
| 2       | 592735801  | MOTOR            |  | 1 |
| 3       | 535075703  | KUGELLAGER       |  | 2 |
| 3       | 593080801  | KUGELLAGER       | Tube 50 pcs                            | 2 |
| 15      | 585296902  | TRENNSCHEIBE     | For mowers produced 2019               | 1 |
| 15      | 536645101  | TRENNSCHEIBE     | For mowers produced from S/N 231010545 | 1 |
| 15      | 531177401  | TRENNSCHEIBE     | For mowers produced 2020-2022          | 1 |
| 17      | 590508701  | SCHRAUBE         |  | 3 |
| 19      | 588421702  | LAGERGEHÄUSE KPL |  | 1 |
| 20      | 535076001  | SCHRAUBE         |  | 1 |
| 24      | 585297001  | GLEITPLATTE      | For mowers produced 2019               | 1 |
| 24      | 598794801  | GLEITPLATTE      | For mowers produced from 2020          | 1 |
| 25      | 585297501  | O-RING           |  | 1 |
| 27      | 575543314  | SCHRAUBE         |  | 1 |
| 28      | 587449601  | ABDECKUNGSSATZ   |  | 1 |