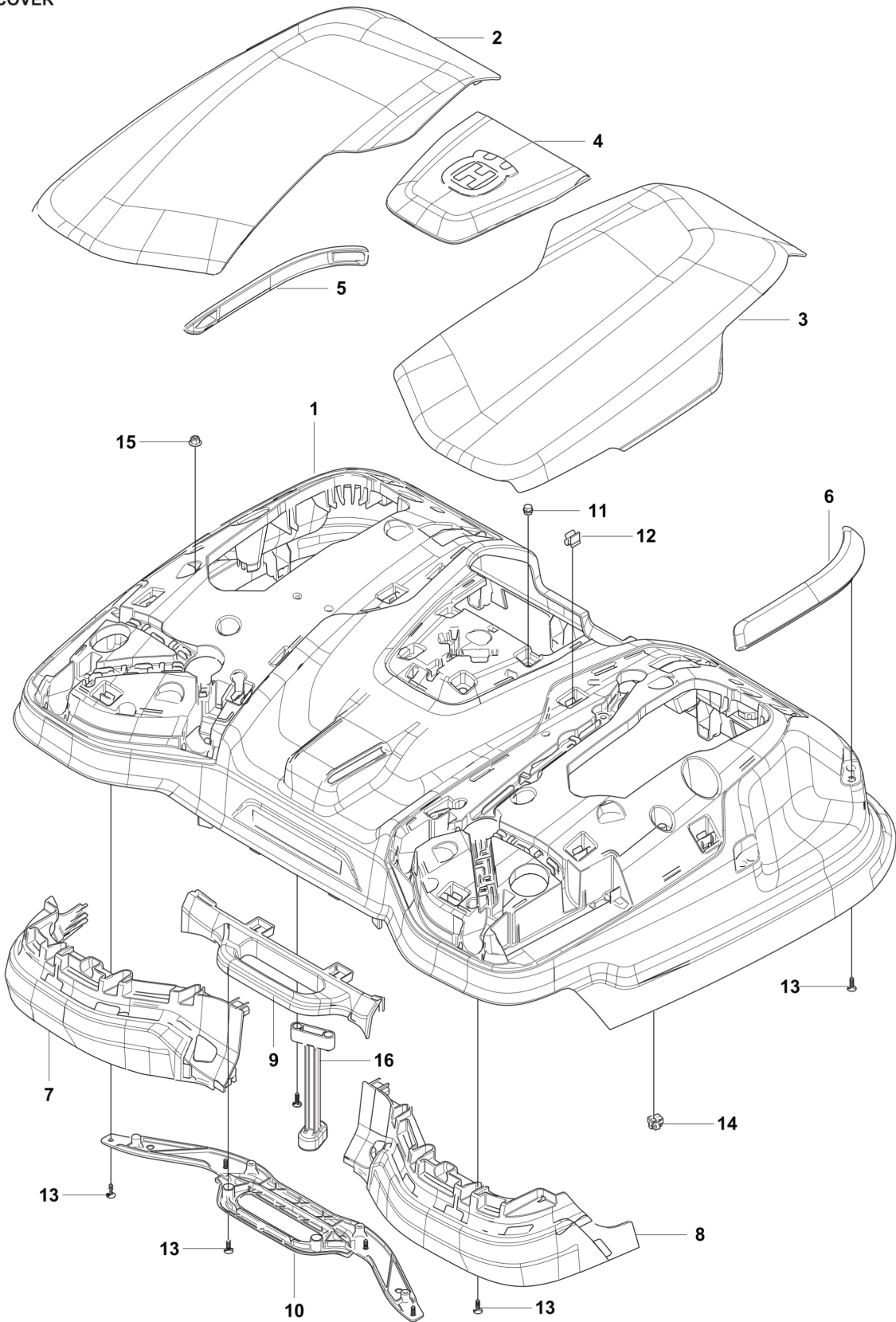


SPARE PARTS CATALOGUE
: CEORA™ MÄHWERK RZ 43M

Spare Parts List

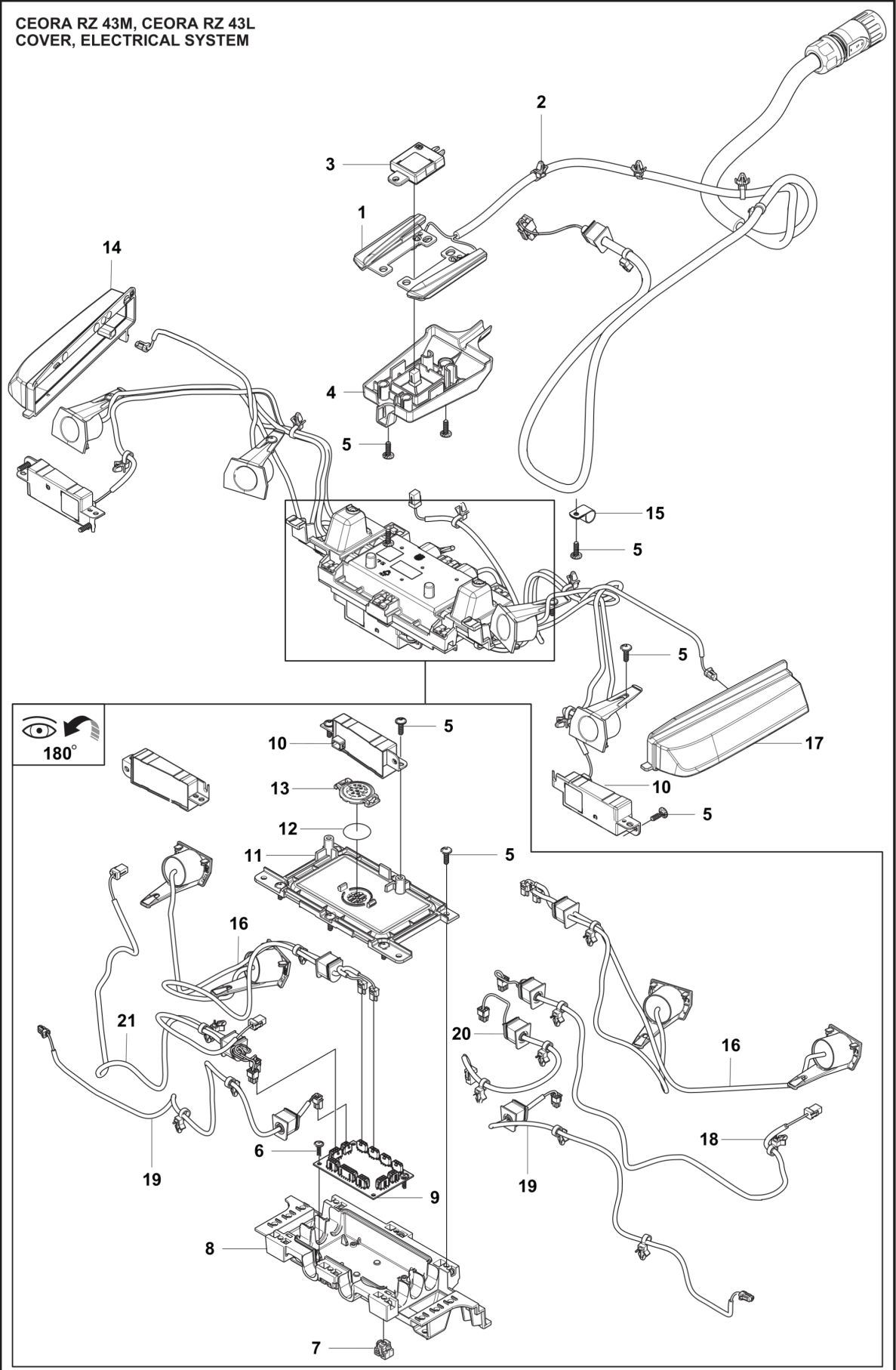
SPARE PARTS LIST

CEORA RZ 43M, CEORA RZ 43L
COVER



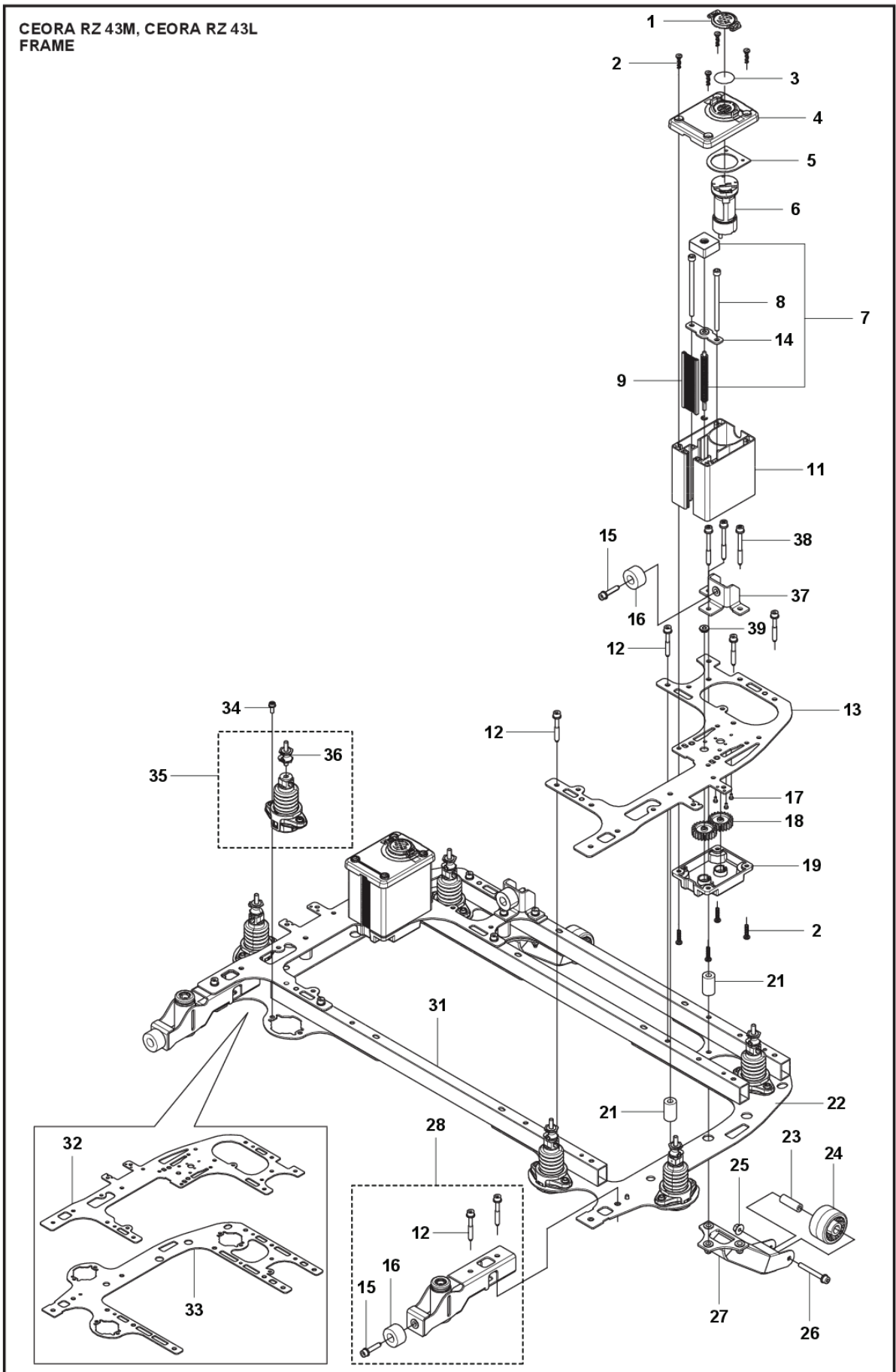
PXM_REF	PXM_PARTNO	BESCHREIBUNG	PXM_REMARK		
1	598002901	KÖRPER	Body	1	
2	598004201	DECKEL	Top cover right	1	
3	598004101	DECKEL	Top cover left	1	
4	598004001	COVER ASSY	Top cover center	1	
5	598003401	EINSTELLHEBEL	Side handle right	1	
6	598003301	EINSTELLHEBEL	Side handle left	1	
7	598003901	STOSSFÄNGER	Bumper front right	1	
8	598003801	STOSSFÄNGER	Bumper front left	1	
9	598003101	EINSTELLHEBEL	Front handle	1	
10	598003201	EINSTELLHEBEL	Front handle	1	
11	593778501	MAGNET	Magnet	4	
12	593778401	KLAMMER	Clip	14	
13	574450101	SCHRAUBE	Screw	24	
14	598004501	EINSATZ	Insert	14	
15	576645703	MUTTER	Nut	6	
16	599679801	STÜTZE	Support	2	

CEORA RZ 43M, CEORA RZ 43L
COVER, ELECTRICAL SYSTEM



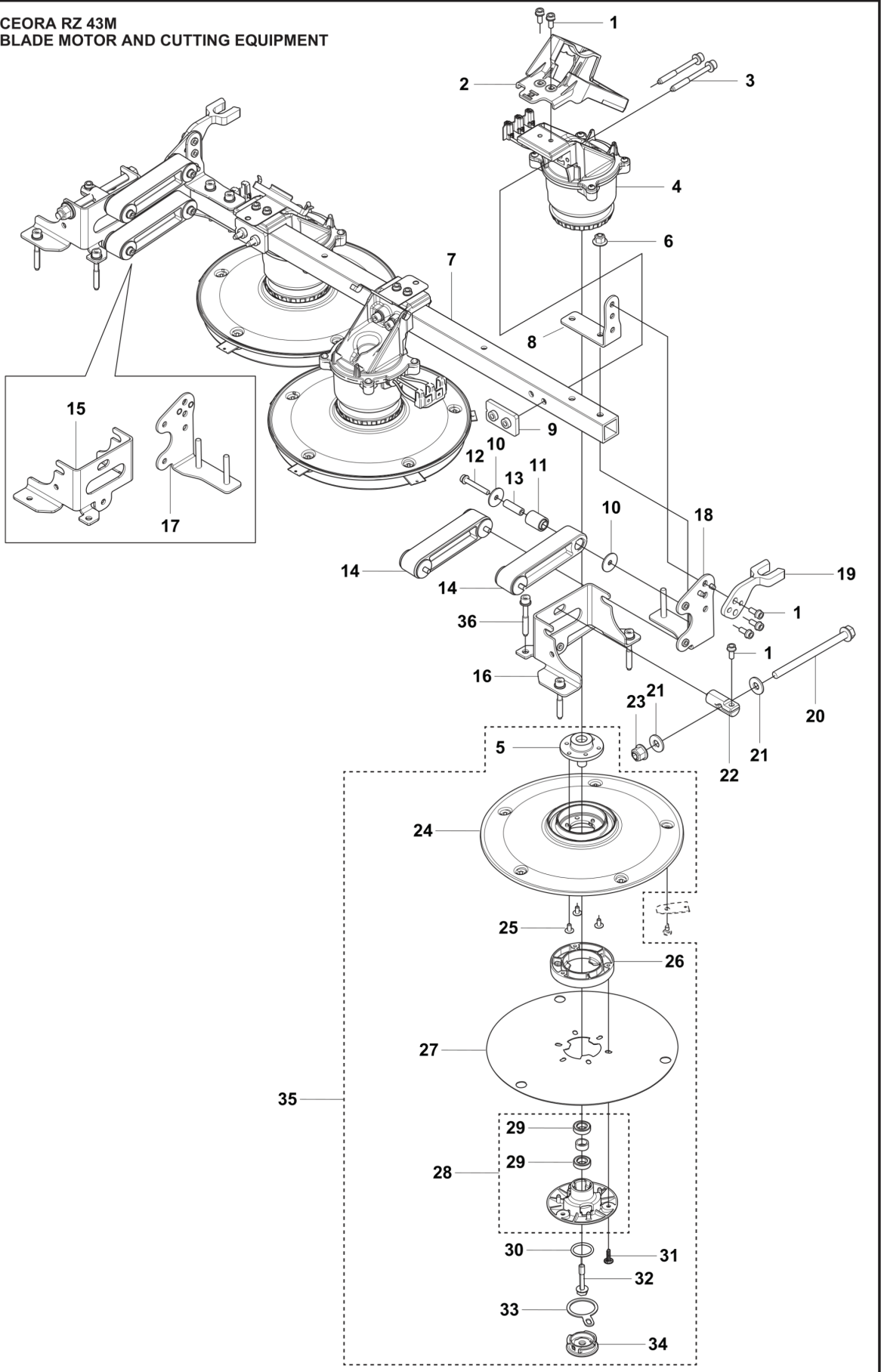
PXM_REF	PXM_PARTNO	BESCHREIBUNG	PXM_REMARK		
1	537485201	VERKABELUNG KPL.	UP TO S/N 222303011. Charging chain kit. See SB B1220029A-07	1	
1	597277602	VERKABELUNG KPL.	FROM S/N 222303012. Chassis cable + Charging plates	1	
2	599436401	KABELBINDER	Tie wrap	17	
3	599476401	GEHÄUSE KPL.	Housing assy magentic sensor	1	
4	598003501	GRIFF	Holder Charging plates	1	
5	574450101	SCHRAUBE	Screw	19	
6	575543314	SCHRAUBE	Screw	2	
7	598004501	EINSATZ	Insert	6	
8	597978501	BASE	Base electronic box body	1	
9	594088901	PLATINE KPL.	Coupling circuit board	1	
10	599474901	GEHÄUSE KPL.	Loop sensor circuit board (left, center, right)	3	
11	599662801	DECKEL	Cover with sealing electronic box body	1	
12	577753701	FILTER	Air Filter	1	
13	586038902	DECKEL	Cover air filter	1	
14	595312402	VERKABELUNG KPL.	LED light front right	1	
15	538635501	KLEMME	Cable holder	1	
16	599645401	VERKABELUNG KPL.	Ultrasonic sensor + cable	2	
17	595312401	VERKABELUNG KPL.	LED light front left	1	
18	598531404	VERKABELUNG KPL.	Wiring assy Magnetic & loop sensor single	1	
19	599597601	VERKABELUNG KPL.	Wiring assy LED light 3P Front	2	
20	598531401	VERKABELUNG KPL.	Wiring assy magnetic loop doc	1	
21	598531301	VERKABELUNG KPL.	Wiring assy Magnetic & loop sensor double	1	

CEORA RZ 43M, CEORA RZ 43L
FRAME



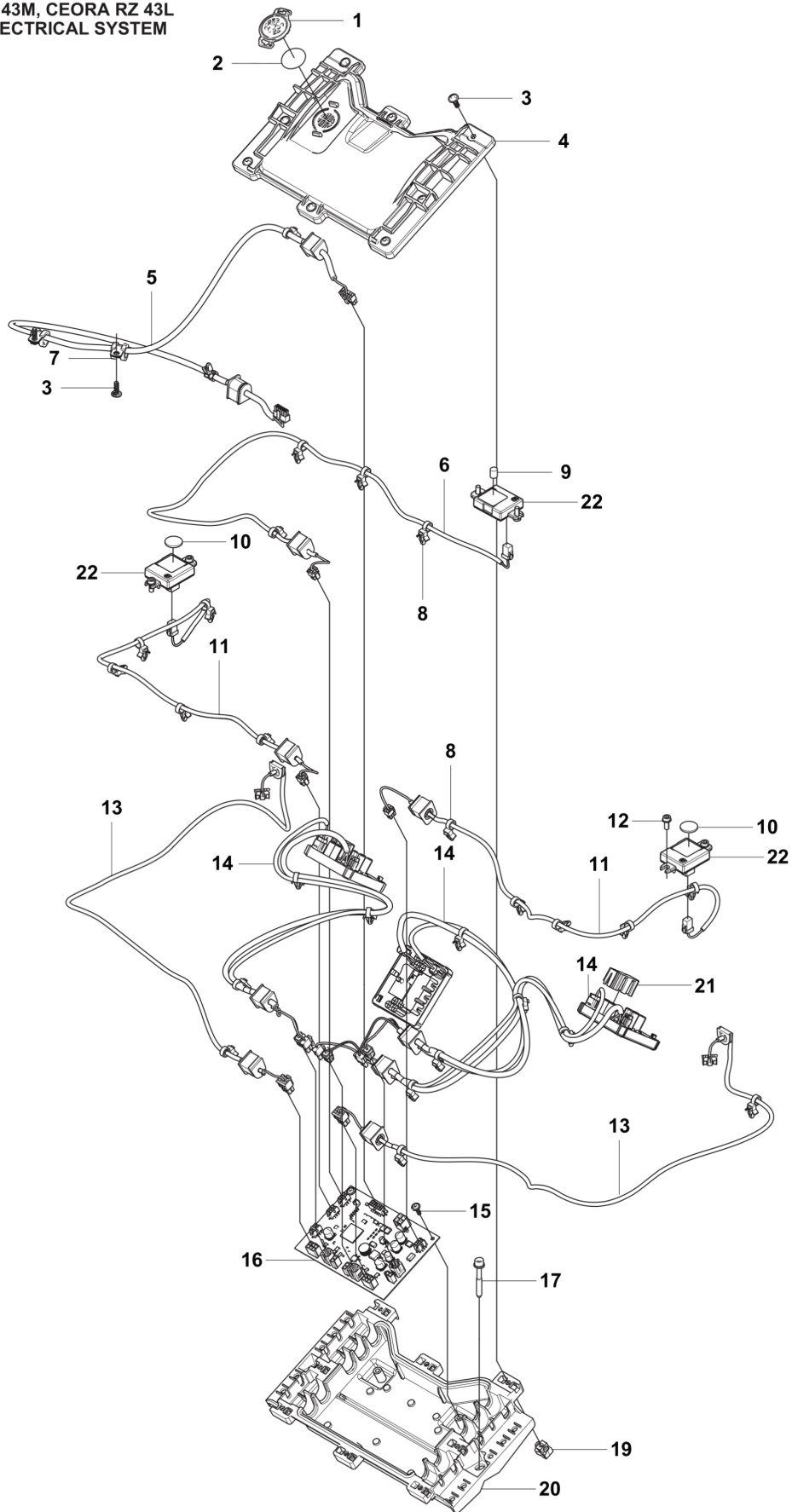
PXM_REF	PXM_PARTNO	BESCHREIBUNG	PXM_REMARK	
1	586038902	DECKEL	Cover	2
2	577713801	SCHRAUBE	Screw	8
3	577753701	FILTER	Air filter	2
4	598027901	DECKEL	Cover	2
5	599304901	DICHTUNG	Gasket	2
6	597762001	HEIGHT ADJUSTMENT MOTOR	Cutting height adjustment motor	2
7	536487201	WORM GEAR ASSY	Worm gear assy	1
8	535432801	SCHRAUBE	Screw	4
9	599475401	BÜRSTE	Brush	4
11	599296701	GEHÄUSE	Housing	2
12	529791402	SCHRAUBE	Screw	10
13	599936703	PLATTE	Plate upper left	1
14	599304402	HALTER	Cutting height adjustment limiter	1
15	529791401	SCHRAUBE	Screw	4
16	599609401	DÄMPFER	Damper	4
17	581835101	SCHRAUBE	Screw	6
18	598027701	STUFENRAD A	Gear	4
19	598028001	DECKEL	Cover	2
21	599936901	HÜLSE	Sleeve	4
22	599936601	PLATTE	Plate lower left	1
23	598008001	HÜLSE	Sleeve	2
24	597907201	LAUFRAD	Servicing wheels	2
25	576645703	MUTTER	Nut	2
26	576564301	BOLZEN	Bolt	2
27	599936201	STÜTZE	Support	2
28	535338501	HOLDER KIT	Holder assy	2
31	599936801	BALKEN	Beam	3
32	599936704	PLATTE	Plate upper right	1
33	599936602	PLATTE	Plate lower right	1
34	525755105	SCHRAUBE	Screw	12
35	598446501	JOYSTICK ASSY	Joystick assy	6
36	598483301	DÄMPFER	Damper	6
37	599936301	STÜTZE	Support	2
38	529791403	SCHRAUBE	Screw	6
39	536813301	BUSHING	Bushing	1

**CEORA RZ 43M
BLADE MOTOR AND CUTTING EQUIPMENT**



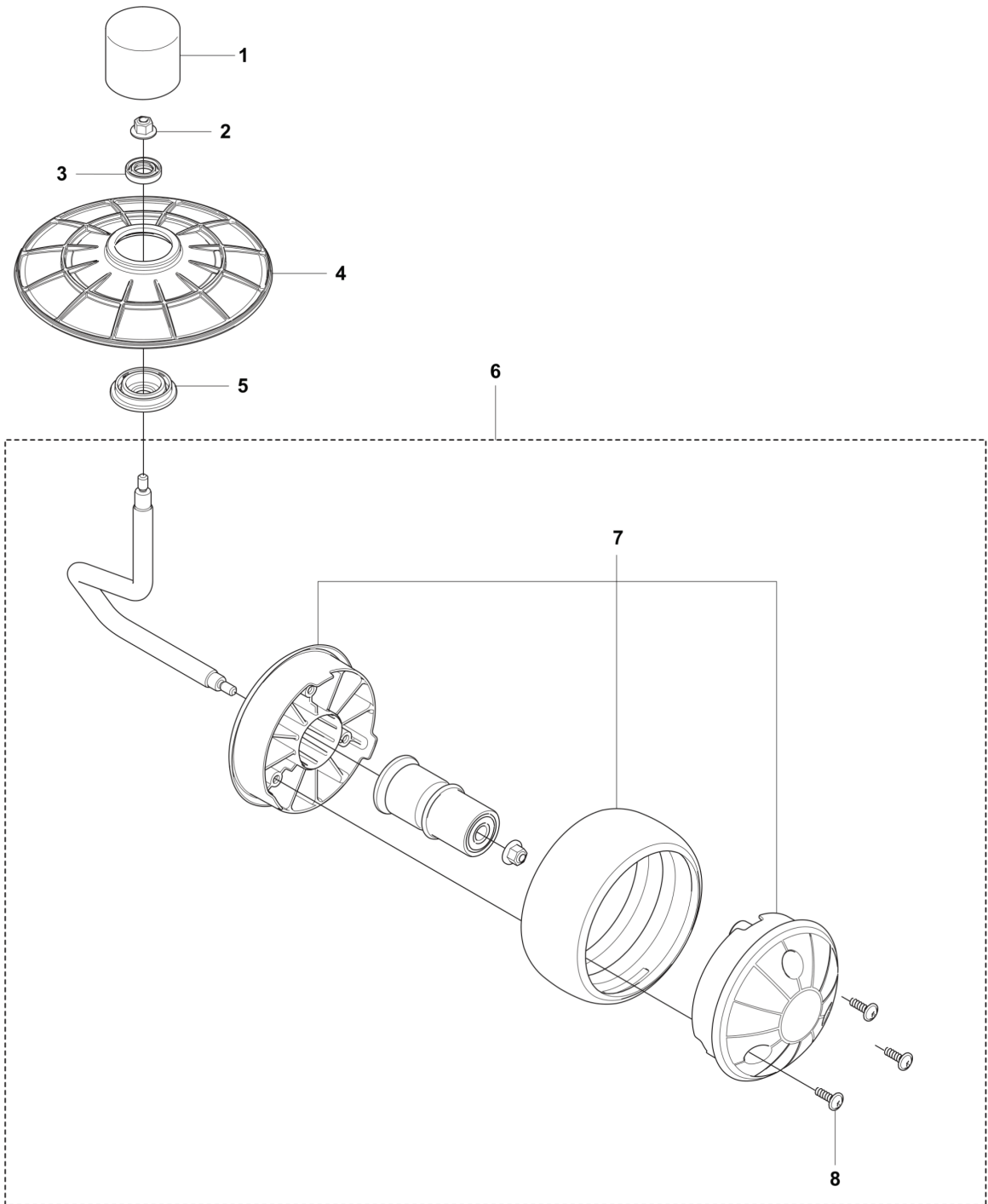
PXM_REF	PXM_PARTNO	BESCHREIBUNG	PXM_REMARK	
2	547396001	HOLDER KIT	Bracket	3
3	529791403	SCHRAUBE	Screw	6
4	597599301	MOTOR KPL.	Cutting motor	3
5	599412301	NABE	Hub	3
6	576645703	MUTTER	Nut	10
7	531022402	BALKEN	Beam	1
8	531022602	STÜTZE	Support Gable	2
9	531022701	PLATTE	Plate support with nuts	3
10	503230072	SCHEIBE	Washer	16
11	599690301	BUSHING	Bushing silentblock	8
12	525755109	SCHRAUBE	Screw	8
13	529856201	HÜLSE	Sleeve	8
14	598028101	STÜTZE	Link arm	4
15	599936402	HALTER	Bracket height adjustment right	1
16	599936401	HALTER	Bracket height adjustment left	1
17	599936504	HALTER	Bracket Gable right	1
18	599936503	HALTER	Bracket gable left	1
19	599304301	HALTER	Bracket height adjustment lifter	2
20	529948901	SCHRAUBE	Screw	2
21	531093601	SCHEIBE	Washer	4
22	599605901	HALTER	Bracket link nut angle adjustment	2
23	576645704	NUT FLANGE	Nut	2
24	598408801	TRENNSCHEIBE	Blade disc	3
25	590508701	SCHRAUBE	Screw	9
26	598409301	RING	Ring skidplate	3
27	599412901	GLEITPLATTE	Skid plate	3
28	599412401	LAGERGEHÄUSE KPL.	Bearing housing assy	3
29	535075703	KUGELLAGER	Ball bearing	6
29	593080801	KUGELLAGER	Ball bearing. Tube 50 pcs	6
30	585297501	O-RING	O-ring	3
31	575543314	SCHRAUBE	Screw	9
32	599535101	HALTER	Retainer	3
33	599533701	SPANNBAND	Strap Cap	3
34	598409201	HUT	Cap	3
35	536326201	TRENNSCHEIBE	US	1
35	536326210	TRENNSCHEIBE	US	1
36	529791402	SCHRAUBE	Screw	6

CEORA RZ 43M, CEORA RZ 43L
FRAME, ELECTRICAL SYSTEM



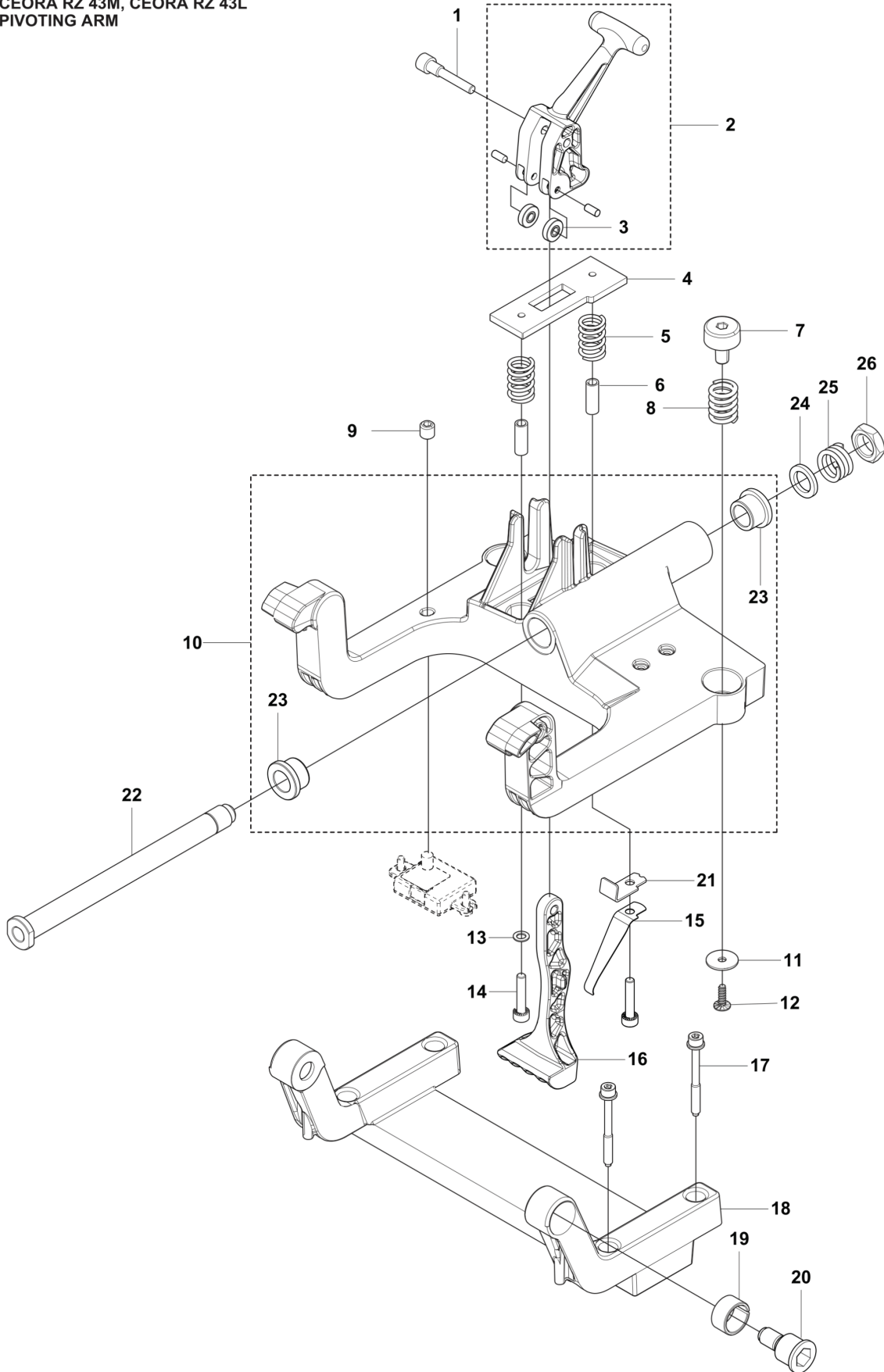
PXM_REF	PXM_PARTNO	BESCHREIBUNG	PXM_REMARK		
1	586038902	DECKEL	Cover air filter	1	
2	577753701	FILTER	Air filter	1	
3	574450101	SCHRAUBE	Screw	10	
4	599656301	DECKEL	Cover electric box frame	1	
5	595311901	VERKABELUNG KPL.	Wiring assy Controlboard	1	
6	598531403	VERKABELUNG KPL.	Wiring assy Magnetic loop sensor single	1	
7	538635501	KLEMME	Cable holder P-clip	1	
8	599436401	KABELBINDER	Tie wrap	13	
9	598460901	MAGNET	Magnet	1	
10	593822101	MAGNET	Magnet	2	
11	598531402	VERKABELUNG KPL.	Wiring assy Magnetic loop sensor single	2	
12	525755105	SCHRAUBE	Screw	6	
13	598863001	VERKABELUNG KPL.	Wiring assy Height adjustment motor	2	
14	598919502	STEUEREINHEIT	Control unit, cut motor board (G4/B) incl. wiring	3	
15	575543314	SCHRAUBE	Screw	2	
16	594086801	PLATINE KPL.	Control board type 2	1	
17	529791402	SCHRAUBE	Screw	2	
19	598004501	EINSATZ	Insert	8	
20	598370701	BASE	Base electric box frame	1	
21	529332001	DECKEL	Cover	3	
22	599476401	GEHÄUSE KPL.	Magnetic sensor circuit board	3	

**CEORA RZ 43M, CEORA RZ 43L
WHEELS AND TIRES**



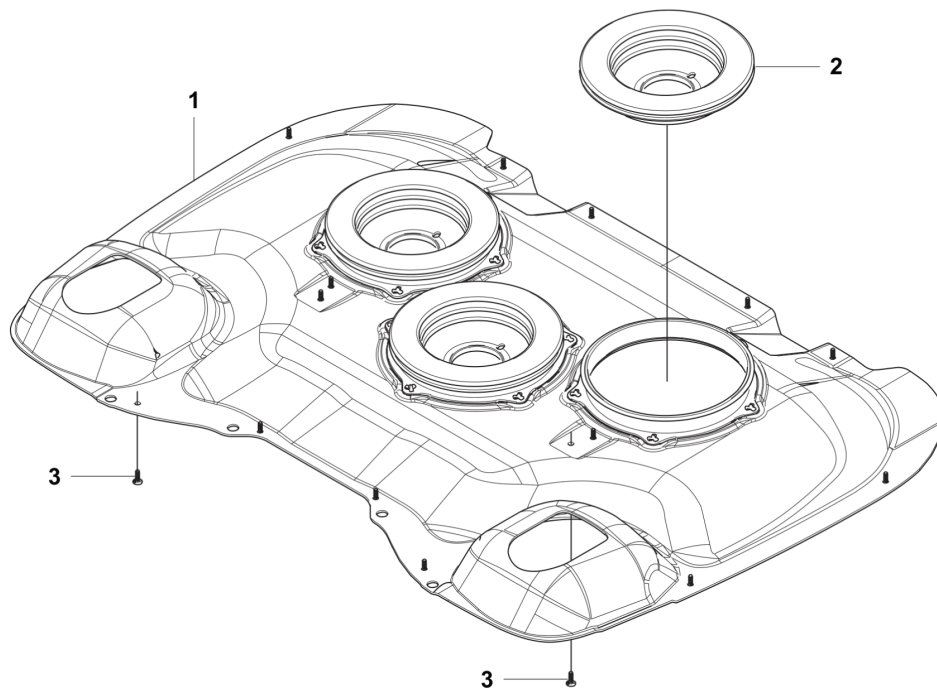
PXM_REF	PXM_PARTNO	BESCHREIBUNG	PXM_REMARK		
1	535541701	HUT	Cap. Bearing housing	2	
2	576645703	MUTTER	Nut	2	
3	531370601	RADIALDICHTUNG	Radial seal	2	
4	599530801	BALG	Bellows	2	
5	531370701	SCHIRM	Shield	2	
6	537582301	RAD KPL.	Front wheel	1	
7	546200501	ABDECKUNGSSATZ	Cover kit	1	
8	574450101	SCHRAUBE	Screw	6	

CEORA RZ 43M, CEORA RZ 43L
PIVOTING ARM



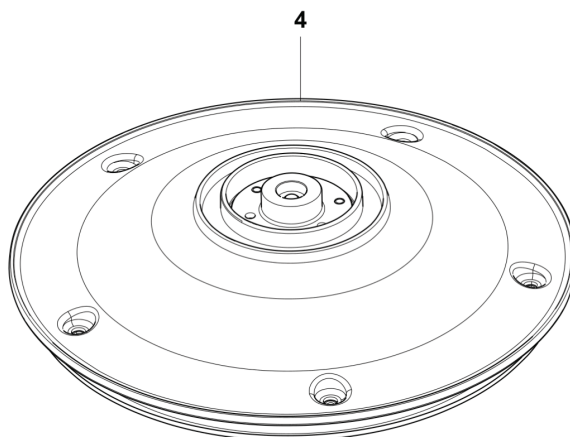
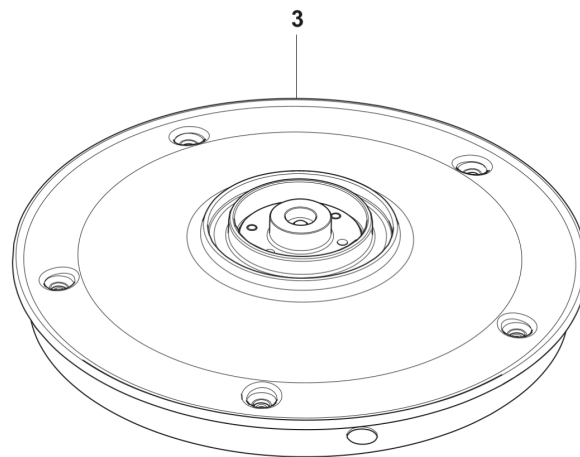
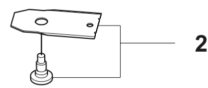
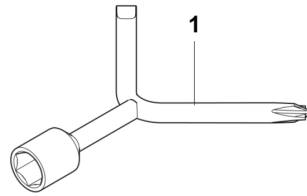
PXM_REF	PXM_PARTNO	BESCHREIBUNG	PXM_REMARK	
1	598014401	GELENK	Joint	1
2	599606201	HALTER	Lever	1
3	534209601	LAUFRAD	Wheel	2
4	597951301	PLATTE	Excenter support plate	1
5	531249401	FEDER	Spring	2
6	598024101	HÜLSE	Sleeve	2
7	599154001	DECKEL	Cover	2
8	531249501	FEDER	Spring	2
9	599831001	SCHRAUBE	Screw	1
10	599606102	HALTER	Bracket	1
11	503230072	SCHEIBE	Washer	1
12	574450101	SCHRAUBE	Screw	2
13	503230005	SCHEIBE	Washer	1
14	525762503	SCHRAUBE	Screw	2
15	599504601	FEDER	Spring excenter hook	1
16	597908501	HAKEN	Hook lock to excenter	1
17	529791403	SCHRAUBE	Screw	4
18	597907301	HALTER	Bracket interface cutting unit	1
19	598008201	BUSHING	Bushing	2
20	597909302	SCHRAUBE	Screw	1
21	535589401	STÜTZE	Support	1
22	599504301	WELLE	Shaft	1
23	536813401	BUSHING	Bushing	1
24	535014601	SCHEIBE	Washer	1
25	534998801	FEDER	Spring	1
26	731432401	SECHSKANT-FLACHMUTTER	Nut	1

CEORA RZ 43M, CEORA RZ 43L
PLATE, PROTECTION



PXM_REF	PXM_PARTNO	BESCHREIBUNG	PXM_REMARK		
1	599466701	PLATE ASSY	Protection plate	1	
2	599530701	BALG	Bellows	3	
3	574450101	SCHRAUBE	Screw	16	

**CEORA RZ 43M, CEORA RZ 43L
ACCESSORIES**



PXM_REF	PXM_PARTNO	BESCHREIBUNG	PXM_REMARK		
1	599739901	WERKZEUG		1	
2	577606604	MESSER-SATZ	Blades 300 pcs incl. Screws	1	
2	596287201	MESSER-SATZ	US - Blades 9 pcs incl. Screws	1	
2	596287301	MESSER-SATZ	US - Blades 45 pcs incl. Screws	1	
2	596287302	MESSER-SATZ	US - Blades 300 pcs incl. Screws	1	
2	599805301	MESSER-SATZ	Blades 45 pcs incl. Screws	1	
2	599805302	MESSER-SATZ	Blades 300 pcs incl. Screws	1	
2	599805311	MESSER-SATZ	US - Blades 45 pcs incl. Screws	1	
2	599805312	MESSER-SATZ	US - Blades 300 pcs incl. Screws	1	
2	577606505	MESSER-SATZ	Blades 45 pcs incl. Screws	1	
3	536326201	TRENNSCHEIBE		1	
3	536326210	TRENNSCHEIBE	US	1	
4	536930901	TRENNSCHEIBE		1	
4	536930910	TRENNSCHEIBE	US	1	